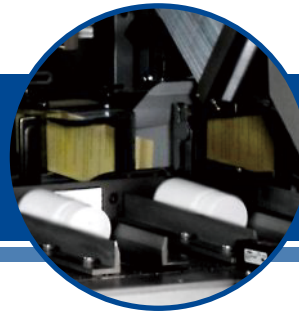




INTERMITTENT CARTONER

CVC 1600



The CVC 1600 is a proven and durable intermittent cartoner, it is suitable for a wide range of products, such as bottle, blister and tube etc. used in food, pharmaceutical, nutraceutical and personal care, etc.

The CVC 1600 is a compact and excellent packaging machine that performs carton erection, pre-folded leaflet insertion, embossing coding on carton flap and carton closing with tuck-in or hot melt glue sealing. It works perfectly for both stand-alone operation and packaging line integration.

STANDARD FEATURES

- Compact footprint allows easy access, cleanup and maintenance. The cartoner design provides separation between intermittent motion drive and product handling.
- Durable and proven Intermittent performance, output rate is between 40 ~ 50 cartons per min. (Adapting Mitsubishi Intermittent system, Japan)
- Control System: PLC (Mitsubishi, Japan) with user friendly Touch Control Panel: 8" Colored(Fuji, Japan or equivalent brand), operator is easy to setup and operate the cartoner.
- 3-Level Password Protection is provided for production management.
- Both carton and leaflet pick off from carton magazine and leaflet magazine, reliable carton erection and leaflet insertion are guaranteed.
- Alarm devices for:
 - Carton pick-up failure
 - Product insertion error
 - Product jam error
 - Over torque
- ISO 9001:2015 certificated.



CVC 1600 Technical Specifications

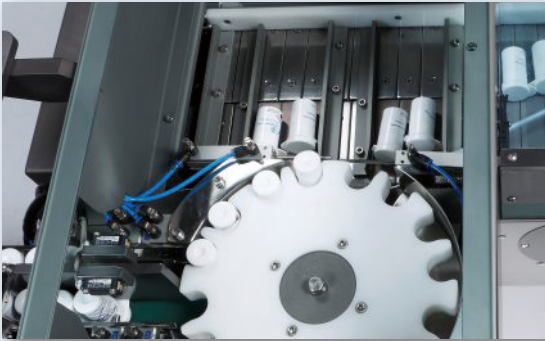
Productivity	Up to 40-50 cartons per min. (actual output is subject to our factory trial test and confirmation)
Applicable Products	Bottle, Blister and Tube
Bottle	Diameter: $\frac{3}{8}$ " to $2\frac{1}{2}$ " (11 - 65 mm) Height: $2\frac{1}{8}$ " to $7\frac{3}{4}$ " (55 - 200 mm)
Carton size range (L x W x H)	Min.: $2\frac{3}{8}$ " x $\frac{3}{4}$ " x $\frac{5}{8}$ " (60 x 20 x 16 mm) Max.: $8\frac{1}{2}$ " x 4" x $2\frac{3}{4}$ " (215x 100 x 70 mm)
Folded leaflet dimensions (L x W x H)	Min.: 4 " x $\frac{5}{8}$ " (100 mm x 15 mm) Max.: $7\frac{7}{8}$ " x $1\frac{5}{8}$ " (200 x 40 mm)
Power Source	220V, 50/60 HZ, 1 phase
Power Consumption	1500 VA (7 A)
Air Pressure	4 bar (60 psi) (ISO 8573-1)
Air Consumption	140 NLit/m (5cfm)
Machine Dimensions (L x W x H)	8'-2" x 3'-3" x 5'-5" (2,490 x 980 x 1,660 mm)
Machine Weight	720 kg (1588 lbs)
Noise Level	78 dB

Technical data contained in this material are not binding and may be subject to change without prior notice.

TECHNICAL SPECIFICATIONS

AVAILABLE OPTIONS

- Tube feeding conveyor attachment
- Blister Loader Magazine
- Extended Bucket Conveyor
- Custom-made product Format Part
- Hot Melt Glue Sealing
- Stainless Steel Construction
- Embossing Coding Unit
- Pre-Folded Leaflet Insertion Device
- 3-Color Tower Stack Light
- 21 CFR Part 11 compliance



Bottle Loading Starwheel



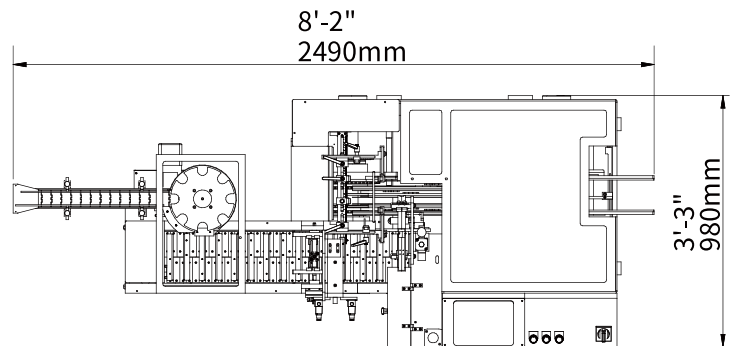
Hot Melt Glue Sealing



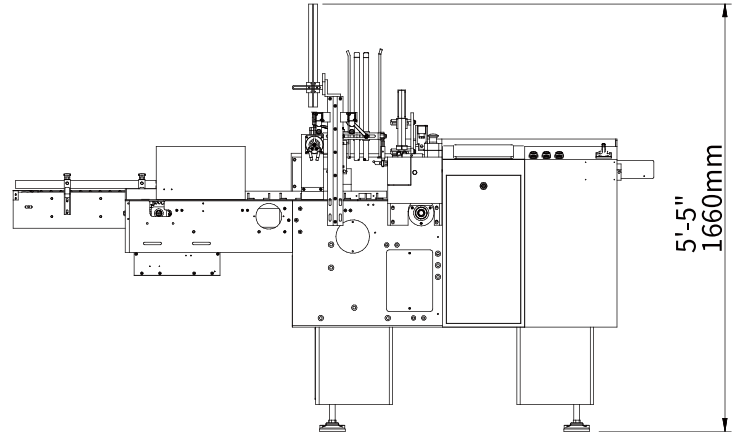
Pre-Folded Leaflet Insertion

MACHINE LAYOUTS

Top View



Front View



The dimensions shown are for standard machine. The conveyor can be extended; the length may vary based on selected options. This machine can run independently or be integrated into an automated packaging line. All CVC equipment is covered by a one-year parts warranty. Full Warranty details are included in our equipment proposals.



CVC TECHNOLOGIES, INC.



Contact Us

USA

10861 Business Drive, Fontana, CA 92337
Phone: +1 (909) 355-0311
www.cvcusa.com ; www.cvctechnologies.com
sales@cvcusa.com

Taiwan-Asia Pacific Headquarters

Phone: +886 (4) 2496-3666
sales@cvctechnologies.com

India

Phone: +91 (22) 2562-1242, +91 (22) 2562-1243
sales@cvctechnologies.com

China

Phone: +86 (512) 8363-6368
sales@cvctechnologies.com