



# INDUCTION CAPSEALER CVC 4000



CVC 4000 Induction Capsealers add security and value to your products. The CVC induction system provides an effective means of tamper-evidence, improves shelf life and eliminates leaks.

Once caps with foil liners are tightened to the bottle, the non-contact heating process is accomplished by the high frequency induction field, with almost no heat transfer to product.

## STANDARD FEATURES

- Display touchscreen instruction for machine operation is available in two languages
- SS-304 stainless steel bin, frame, enclosure panels
- Memory capacity for 10 jobs
- Interlocked safety guarding
- Bottle backlog sensor at outfeed
- ISO 9001:2000 certified
- SS-316 Contact Parts

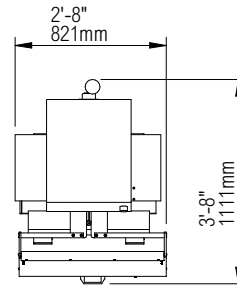


## CVC 4000 Technical Specifications

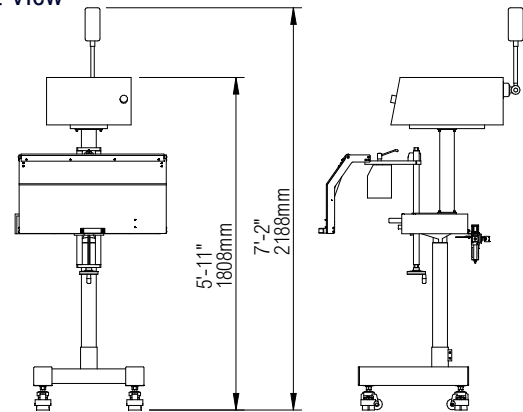
Speed	Up to 200 Bottles per Minute (BPM)
Cap Diameter	1 1/8" to 4 3/8" (30mm - 110mm)
Power Source	240V, 50/60 Hz, Single Phase
Power output	4.0 KW
Machine Dimensions	5'-6" x 3'-5" x 4'-8" (828 x 1245 x 1510 mm) (L x W x H)
Machine Weight	353 lbs. (160 kg)

## MACHINE LAYOUTS

### Top View



### Front View



The dimensions shown are for standard machine. The conveyor can be extended: the length may vary based on selected options. This machine can run independently or be integrated into an automated packaging line. All CVC equipment is covered by a one-year parts warranty. Full Warranty details are included in our equipment proposals or can be found on our website.



### Contact Us

**USA**  
10861 Business Drive, Fontana, CA 92337  
Phone: +1 (909) 355-0311  
[www.cvctechnologies.com](http://www.cvctechnologies.com)  
[sales@cvcusa.com](mailto:sales@cvcusa.com)

**USA East Coast Office**  
1855 New Highway, Suite C, Farmingdale NY 11735  
[sales@cvcusa.com](mailto:sales@cvcusa.com)

**Taiwan-Asia Pacific Headquarters**  
Phone: +886 (4) 2496-3666  
[sales@cvctechnologies.com](mailto:sales@cvctechnologies.com)

**China/India/Indonesia**  
[sales@cvctechnologies.com](mailto:sales@cvctechnologies.com)