



FRONT and BACK LABELER with WRAP STATION CVC 430.U2



CVC Front and Back Labeler with Wrap Station CVC 430.U2 is Dual-purpose machine designed to automatically apply pressure sensitive labels onto square or rectangular containers, and wrapping labels onto round containers.

It can also be ordered with an optional assembly for applying a label to 3, 4, or 5 panels of a square or rectangular container. The CVC 430.U2 can satisfy all your requirements. Multiple applications but 1 Machine!

STANDARD FEATURES

- SelfSet™ Auto Adjusting Control System
- Servo Motor Driven Label Head
- Touch Screen HMI
- Label Head with up to ± 1 mm ($1/32$ ") Accuracy
- Separator Wheel for Controlled Spacing
- Top Hold Down Belt Assembly
- Stainless Steel Frame on Lockable Casters
- Stainless Steel Conveyor with Top Chain
- Product sensor with opaque and clear bottle mode
- Variable speed separator wheel
- Type 304 Stainless Steel Frame, Enclosure Panels



CVC 430.U2 Technical Specifications

Type	U2
Productivity	Up to 260 BPM (base on L.60 x W.50 x H.120 mm square bottle, label L.50 x W.40 mm) Up to 230 BPM (base on \varnothing 41 x H.80 mm round bottle, label L.50 x W.40 mm) (subject to trial confirmation)
Applicable Size	Label: Length: 15-254mm ($1/2$ " to 10") Width: (dependent on label head type) A: 15-80 mm ($1/2$ " to 3") B: 15-120 mm ($1/2$ " to 4 $3/4$ ") C: 15-150 mm ($1/2$ " to 6") D: 15-180 mm ($1/2$ " to 7") E: 15-220 mm ($1/2$ " to 8 $3/4$ ") F: 15-265 mm ($1/2$ " to 11 $1/2$ ") Flat/ Square Bottle: Length: Flat Bottle: 30-110 mm ($1 1/4$ " to 4 $1/4$ ") Square Bottle: 30-200 mm ($1 1/4$ " to 8") Width: 30-110 mm ($1 1/4$ " to 4 $1/4$ ") Round Bottle: Dia.: \varnothing 30- 110 mm ($1 1/4$ "- 4 $1/4$ ") Height: 50- 220 mm (2"- 8 $3/4$ ")
Power Source	110/220 V, 50/60 HZ, 1 PH
Power Consumption	1320 VA (110V: 12 A, 220V: 6 A)
Air Pressure	6 bar (87 psi)
Air Consumption	28.5 NL/min (1 CFM) (for optional reject) 128.5 NL/min (4.5 CFM) (for optional reject and Lot/Date printer)
Machine Dimensions (L x W x H)	2,735 x 1,430 x 1,870 mm (9' x 4'-8" x 6'-2")
Machine Weight	426 kg
Noise Level	\leq 75 dB

Technical data contained in this material are not binding and may be subject to change without prior notice.

TECHNICAL SPECIFICATIONS

AVAILABLE OPTIONS

- C60 Hot Stamp (Lot/Date Coding)
- Missing Hot Stamp Imprint Check
- Integrated Thermal Printer (Lot/Date, Bar Code and Graphics)
- Dataflex or Similar Lot/Date Code Printer
- Clear, Metallic or Color Label Sensor
- End to end Transfer Plates
- Infeed and outfeed Conveyor Extensions
- Adjustable Tilt for Tapered Bottles
- Feed Screw
- Stainless Steel Raised Bed Sanitary Conveyor (Factory installed only)
- Push and Press Attachment
- 3-panel, 4-panel or 5-panel Labeling Attachments



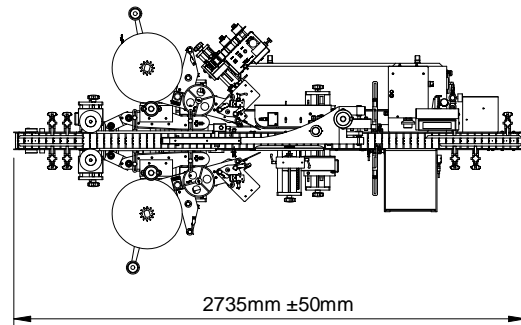
• 5-panel wrap station. (option)



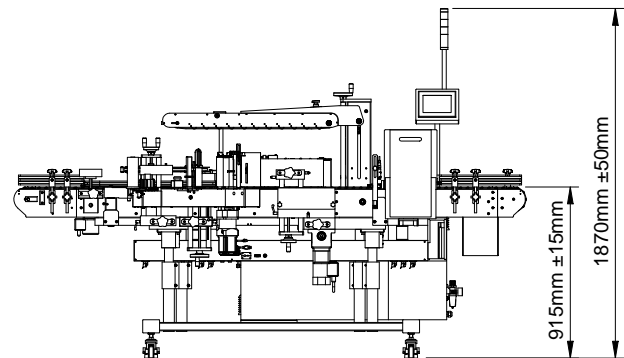
• Reject system. (option)

MACHINE LAYOUTS

Top View



Front View



Technical data contained in this material are not binding and may be subject to change without prior notice.



Contact Us

USA

10861 Business Drive, Fontana, CA 92337
Phone: +1 (909) 355-0311
www.cvcusa.com ; www.cvctechnologies.com
sales@cvcusa.com

Taiwan-Asia Pacific Headquarters

Phone: +886 (4) 2496-3666
sales@cvctechnologies.com

India

Phone: +91 (22) 2562-1242, +91 (22) 2562-1243
sales@cvctechnologies.com

China

Phone: +86 (512) 8363-6368
sales@cvctechnologies.com