



TOP LABELER CVC 200



The CVC 200 Top Labeler is built to automatically apply pressure sensitive labels onto the top or side of flat and indented containers. The 200 comes standard with a 6" wide belt conveyor and is ideal for contract packagers and manufacturers serving the nutraceutical, food, cosmetic, personal care, and consumer electronic markets.

All CVC labelers include our patented Self Set™ software which utilizes a high frequency encoder for extremely easy setup and wrinkle free labeling at the touch of a button.

STANDARD FEATURES

- SelfSet™ Auto Adjusting Control System
- Stepper Motor (or Servo Motor) Driven Head Labeling
- Touch Screen HMI
- Label Head with up to ± 1 mm ($1/32$ ") Accuracy (*Bottles/ Containers Dependent)
- Label Sensor for Paper or Opaque Labels
- Stainless Steel Frame on Lockable Casters
- Stainless Steel Flatbed Conveyor, 6" Wide Endless Green Belt



CVC 200 Technical Specifications

Productivity	Up to 200 PPM (subject to trial confirmation) Dispense Speed: 24 M/min (78 ft/min)
Applicable Size	Label: Length: 15-254 mm ($1/2$ " to 10") Width: (depend on label head type) A: 15-80 mm ($1/2$ " to 3") B: 15-120 mm ($1/2$ " to 4 ³ / ₄ ") C: 15-150 mm ($1/2$ " to 6")
	Product: Length: 30-260 mm (1 ¹ / ₄ " to 10 ¹ / ₄ ") Width: 25-150 mm (1" to 6") Height: 15-150 mm ($1/2$ " to 6")
Power Source	110/220 V, 50/60 HZ, 1 PH
Power Consumption	350 VA (110V: 3.2 A, 220V: 1.6 A)
Air Pressure	6 bar (87 psi)
Air Consumption	50 NL/min (1.8 CFM) (for optional Lot/Date printer)
Machine Dimensions (L x W x H)	1,320 x 640 x 1485- 1,620 mm (4'-4" x 2'-1" x 4'-10" to 5'-4")
Machine Weight	130kg (287 lbs)
Noise Level	≤ 75 dB

Technical data contained in this material are not binding and may be subject to change without prior notice.

Note: The actual rates may vary significantly depending on the following: products, product characteristics, required fill counts, quantity or volume, and bottle dimensions.

TECHNICAL SPECIFICATIONS

AVAILABLE OPTIONS

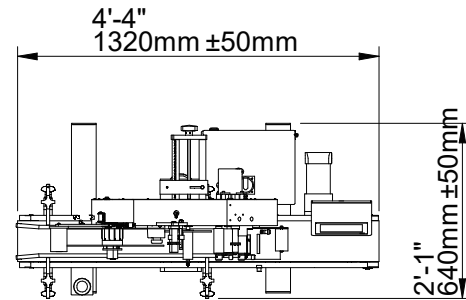
- C60/ C70 Hot Stamp (Lot/Date Coding)
- Integrated Thermal Encoder (Lot/Date, Bar Code and Graphics)
- Clear, Metallic or Color Label Sensor
- Dataflex or similar Lot/Date Code Printer
- End to End transfer plates
- Infeed and Outfeed Conveyor Extensions
- Separator wheel for controlled spacing



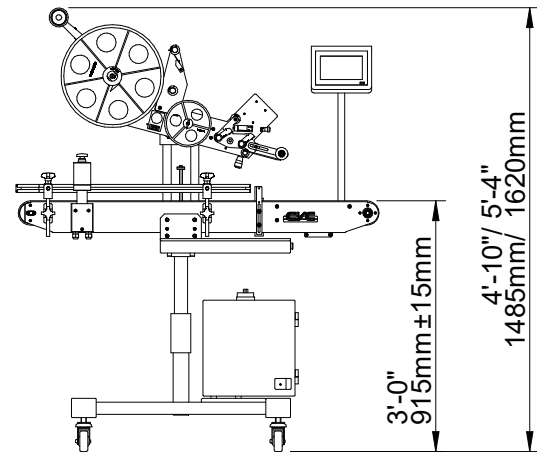
THERMAL TRANSFER PRINTER

MACHINE LAYOUTS

Top View



Front View



The dimensions shown are for standard machine. The conveyor can be extended: the length may vary based on selected options. This machine can run independently or be integrated into an automated packaging line. All CVC equipment is covered by a one-year parts warranty. Full Warranty details are included in our equipment proposals or can be found on our website.



Contact Us

USA

10861 Business Drive, Fontana, CA 92337
Phone: +1 (909) 355-0311
www.cvcusa.com ; www.cvctechnologies.com
sales@cvcusa.com

Taiwan-Asia Pacific Headquarters

Phone: +886 (4) 2496-3666
sales@cvctechnologies.com

India

Phone: +91 (22) 2562-1242, +91 (22) 2562-1243
sales@cvctechnologies.com

China

Phone: +86 (512) 8363-6368
sales@cvctechnologies.com