



POUCH DESICCANT INSERTER CVC 1103



The CVC 1103 Pouch Desiccant Inserter is a compact highly cost-effective means to insert desiccants or oxygen absorbents into a variety of bottles and containers. The system cuts packets from a roll and inserts them into containers at speeds of up to 120 bottles per minute. The CVC 1103 is Siemens PLC controlled with servo motor. Options include tower lamp and feed screw for higher speed applications.

STANDARD FEATURES

- Servo Motor & Siemens PLC Controlled
- Safety guards with automatic machine stop
- Pneumatic gating for positive stop
- Bottle backlog sensor
- 1 to 5 Pouch Insertions per bottle



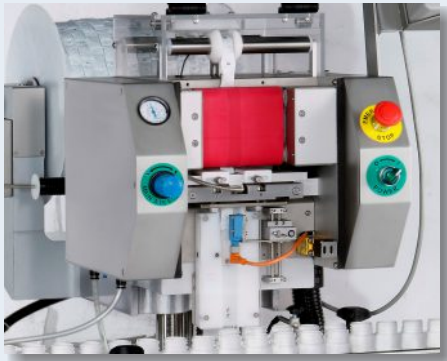
CVC 1103 Technical Specifications

Speed	Up to 120 Bottles per Minute (BPM)
Applicable pouch sizes	
Length	33 – 73 mm
Width	17 – 30 mm
Thickness	3 – 10 mm
Power source	220 VAC, 50/60 Hz., 1 Phase
Power consumption	350 W
Air pressure	87 psi
Machine dimensions	886mm x 862mm x 1539-1964mm (L x W x H)

TECHNICAL SPECIFICATIONS

AVAILABLE OPTIONS

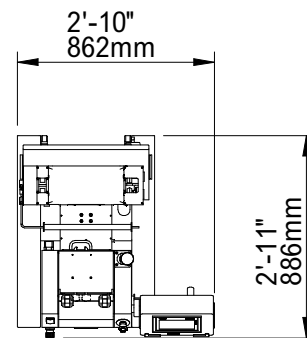
- Infeed feed screw system for high speed applications
- Tower lamp
- 21 CFR Part 11 License



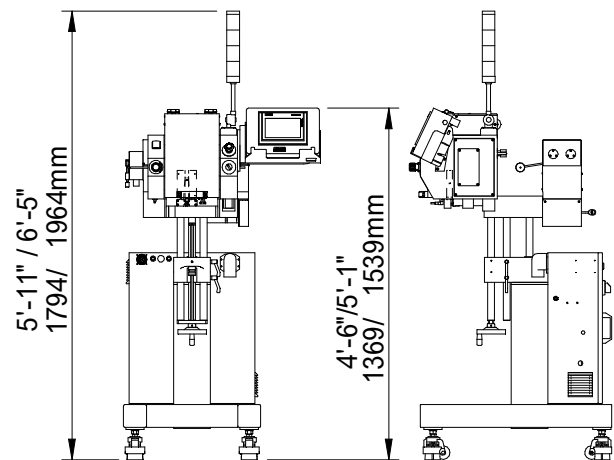
INTEGRATED PRODUCT HOPPER

MACHINE LAYOUTS

Top View



Front View



The dimensions shown are for standard machine. The conveyor can be extended: the length may vary based on selected options. This machine can run independently or be integrated into an automated packaging line. All CVC equipment is covered by a one-year parts warranty. Full Warranty details are included in our equipment proposals or can be found on our website.



Contact Us

USA
10861 Business Drive, Fontana, CA 92337
Phone: +1 (909) 355-0311
www.cvctechnologies.com
sales@cvcusa.com

USA East Coast Office
1855 New Highway, Suite C, Farmingdale NY 11735
sales@cvcusa.com

Taiwan-Asia Pacific Headquarters
Phone: +886 (4) 2496-3666
sales@cvctechnologies.com

China/India/Indonesia
sales@cvctechnologies.com