



# IN-LINE LIQUID FILLER

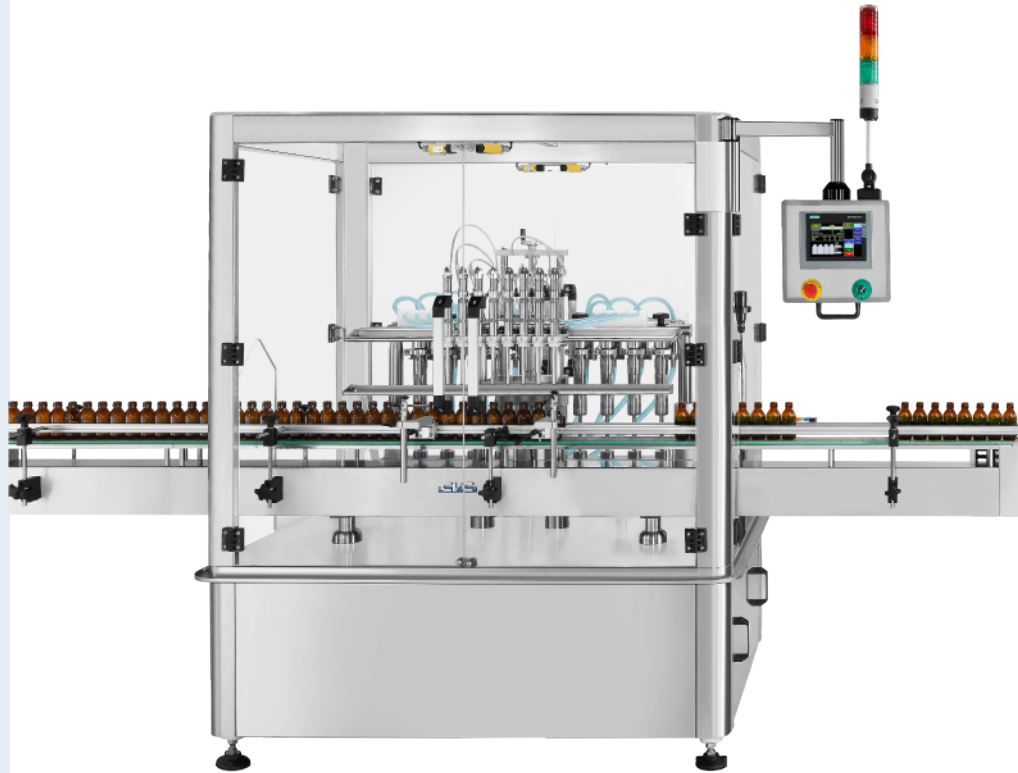
## CVC 3036-8



CVC 3036-8 with in-line configuration are really versatile fillers that easily - and inexpensively - accommodates to different bottle sizes.

### STANDARD FEATURES

- Diving type filling mechanism: filling nozzles dip into bottles and move up while liquid is being filled. It features less foaming during filling.
- 8 filling stations.
- Servo driven on both volumetric pistons and nozzles.
- Flexible adjustments can meet different product characteristics and bottle shapes.
- Various speed settings of liquid filling.
- Drip tray.
- Capability of recipe storage.
- Simple and quick tech mode setup.
- Track full / track empty sensors.
- PLC control with user-friendly operation.
- Motorized single lane sanitary conveyor. customized conveyor lengths are available upon request.
- Type 304 stainless steel bin, frame, enclosure panels.
- Type 316L stainless steel contact parts.
- ISO 9001 : 2015 certified.



### CVC 3036-8 Technical Specifications

No. of Filling Heads	8
Productivity	Up to 64 BPM (subject to trial confirmation)
Viscosity	2,000 cps
Applicable Size	Bottle Dia.: Ø30-110 mm (1 1/4" to 4 1/4") Bottle Height: 50-220 mm (2" to 8 1/2") Mouth Opening (I/D): Ø10-15 mm (3/8" to 5/8"), suitable for 6.5 mm (1/4") nozzle, over 15 mm (5/8") need to match 13 mm (1/2") nozzle.
Filling Range	20-1,000 ml (Need to adapt different volumetric piston pumps and proper nozzles)
Power Source	220 V, 50/60 HZ, 1 PH / 380V, 50/60 HZ, 3PH
Power Consumption	4,600 VA (220V: 25 A/ 380V: 12 A)
Air Consumption	6 bar (87 psi)
Air Pressure	50 NL/min (1.8 CFM)
Machine Dimensions ( L x W x H )	3,600 x 1,040 x 2,200 mm (11'-10" x 3'-5" x 7'-3")
Machine Weight	945 kg (2,083 lbs)
Noise Level	70-75 dB

Technical data contained in this material are not binding and may be subject to change without prior notice.

# TECHNICAL SPECIFICATIONS

## AVAILABLE OPTIONS

- Include various sizes of volumetric pistons with fill volume capacity range from 20 ml up to 500 ml
- Shut-off nozzles
- 1-on-8 manifold pipe
- Liquid buffer/storage tanks
- 21 CFR PART 11 compliance
- OPC UA for data collection
- Bottle neck holders
- Bottle feed screw
- Bottle feed screw for handling irregular shaped containers
- Bottle mouth holder design for special applications (require to conduct our factory test)



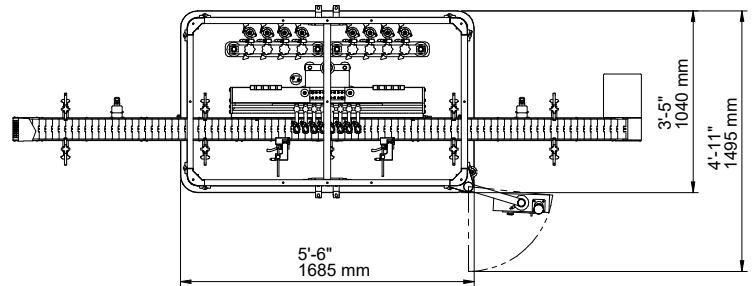
- **Bottle Mouth Holders:** The dedicated bottle holders are required when bottle mouth opening is too small to be centered and aligned with fill nozzles.



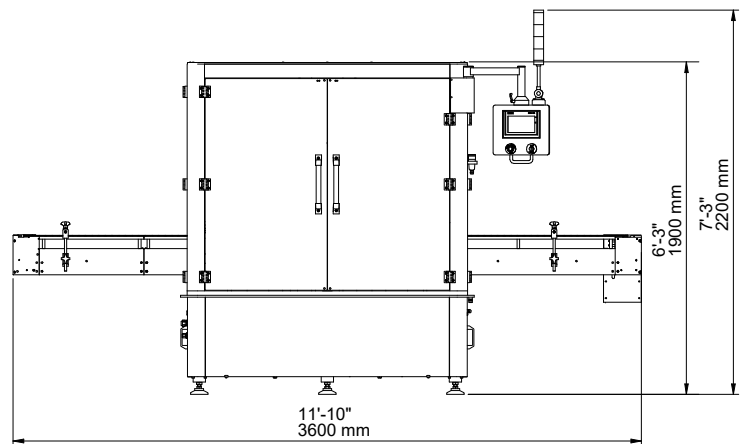
- **Shut-Off Nozzles and Drip Tray:** Shut-off nozzles are strongly recommend for liquid with low viscosity

## MACHINE LAYOUTS

### Top View



### Front View



Technical data contained in this material are not binding and may be subject to change without prior notice.



## Contact Us

### USA

10861 Business Drive, Fontana, CA 92337  
Phone: +1 (909) 355-0311  
[www.cvcusa.com](http://www.cvcusa.com) ; [www.cvctechnologies.com](http://www.cvctechnologies.com)  
[sales@cvcusa.com](mailto:sales@cvcusa.com)

### Taiwan-Asia Pacific Headquarters

Phone: +886 (4) 2496-3666  
[sales@cvctechnologies.com](mailto:sales@cvctechnologies.com)

### India

Phone: +91 (22) 2562-1242, +91 (22) 2562-1243  
[sales@cvctechnologies.com](mailto:sales@cvctechnologies.com)

### China

Phone: +86 (512) 8363-6368  
[sales@cvctechnologies.com](mailto:sales@cvctechnologies.com)