



FRONT and BACK LABELER with WRAP STATION CVC 430



CVC Front and Back Labeler with Wrap Station CVC 430 is Dual-purpose machine designed to automatically apply pressure sensitive labels onto square or rectangular containers, and wrapping labels onto round containers.

It can also be ordered with an optional assembly for applying a label to 3, 4, or 5 panels of a square or rectangular container. The CVC 430 can satisfy all your requirements. Multiple applications but 1 Machine!



STANDARD FEATURES

- SelfSet™ Auto Adjusting Control System
- Stepper Motor Driven Head Labeling
- Touch Screen HMI
- Label Head with up to ± 1 mm (1/32") Accuracy
- Separator Wheel for Controlled Spacing
- Top Hold Down Belt Assembly
- Stainless Steel Frame on Lockable Casters
- Stainless Steel Conveyor with Top Chain
- Type 304 Stainless Steel Frame, Enclosure Panels

All CVC labelers include our patented SelfSet™ software which utilizes a high frequency encoder for extremely easy setup and wrinkle free labeling at the touch of a button.

CVC 430 Technical Specifications

Type	U1
Productivity	Up to 175 BPM (subject to trial confirmation) Dispense Speed: 23 M/min (75 ft/min)
Label:	Label: Length: 15-250 mm (1/2" to 10") Width: (dependent on label head type) A: 15-80 mm (1/2" to 3") B: 15-120 mm (1/2" to 4 3/4") C: 15-150 mm (1/2" to 6") D: 15-180 mm (1/2" to 7") E: 15-220 mm (1/2" to 8 3/4") F: 15-265 mm (1/2" to 11 1/2")
Applicable Size	Flat/ Square Bottle: Length: Flat Bottle: 30-110 mm (1 1/4" to 4 1/4") Square Bottle: 30-200 mm (1 1/4" to 8") Width: 30-100 mm (1 1/4" to 4") Height: 75-320 mm (2 3/4" to 12 1/2") Round Bottle: Bottle with Cap Height: 50-220 mm (2" to 8 3/4") Dia.: Ø30-110 mm (1 1/4" to 4 1/4")
Power Source	110/220 V, 50/60 HZ, 1 PH
Power Consumption	528 VA (110V: 4.8 A, 220V: 2.4 A)
Air Pressure	6 bar (87 psi)
Air Consumption	50 NL/min (1.8 CFM) (for optional Lot/Date printer)
Machine Dimensions (L x W x H)	2,435 x 1,430 x 1,435 mm (Including conveyor) (8' x 4'-8" x 4'-8")
Machine Weight	340 kg (750 lbs)
Noise Level	≤ 75 dB

* Machine specifications are subject to change without notice.

TECHNICAL SPECIFICATIONS

AVAILABLE OPTIONS

- C60 Hot Stamp (Lot/Date Coding)
- Missing Hot Stamp Imprint Check
- Integrated Thermal Printer (Lot/Date, Bar Code and Graphics)
- Dataflex or Similar Lot/Date Code Printer
- Clear, Metallic or Color Label Sensor
- End to end Transfer Plates
- Infeed and outfeed Conveyor Extensions
- Adjustable Tilt for Tapered Bottles
- Feed Screw
- Stainless Steel Raised Bed Sanitary Conveyor (Factory installed only)
- Push and Press Attachment
- 3-panel, 4-panel or 5-panel Labeling Attachments



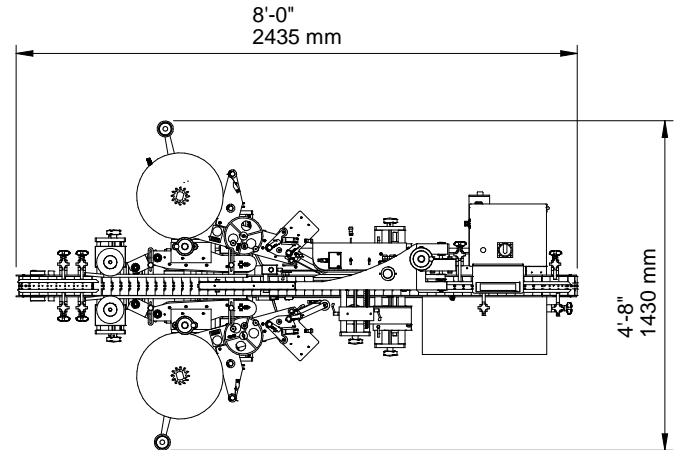
• 5-panel wrap station. (option)



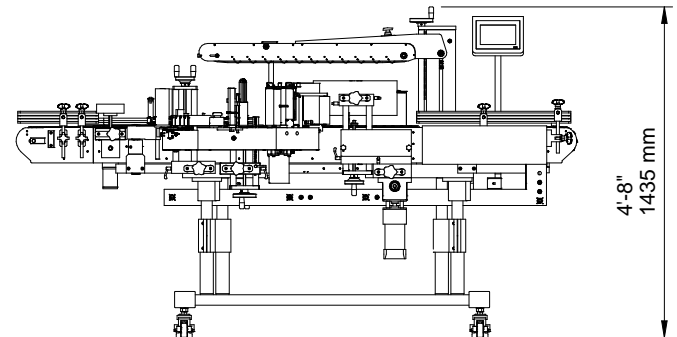
• Push & Press Attachment. (option)

MACHINE LAYOUTS

Top View



Front View



The dimensions shown are for standard machine. The conveyor can be extended: the length may vary based on selected options. This machine can run independently or be integrated into an automated packaging line. All CVC equipment is covered by a one-year parts warranty. Full Warranty details are included in our equipment proposals or can be found on our website.



Contact Us

USA

10861 Business Drive, Fontana, CA 92337
Phone: +1 (909) 355-0311
www.cvctechnologies.com
sales@cvcusa.com

USA East Coast Office

1855 New Highway, Suite C, Farmingdale NY 11735
sales@cvcusa.com

Taiwan-Asia Pacific Headquarters

Phone: +886 (4) 2496-3666
sales@cvctechnologies.com

China/ India

sales@cvctechnologies.com