

FRONT AND BACK LABELER WITH WRAP STATION - CVC 432



CVC Front and Back Labeler with Wrap Station CVC 432 is a dual-purpose machine designed to automatically apply pressure-sensitive labels onto the front and/or wrapping labels onto round containers. CVC 432 using the advanced system(Self Set™), through this system users can effortlessly set up the diverse parameters like the speed of the motor, label length, labeling speed. It can also be ordered with an optional assembly for applying a label to 3, 4, or 5 panels of a square or rectangular container. Self Set™ inspecting all the parameters. Moreover, CVC 432 will record every data and able to output. CVC 432 can satisfy all your requirements. Multiple applications but 1 Machine!

STANDARD FEATURES

- Self Set™ Auto Adjusting Control System
- HMI touch screen
- Stainless Steel Frame on lockable casters
- Stainless Steel flatbed conveyor with table top chain
- Servo Motor control
- Label head with up to ±1 mm accuracy
- Variable Speed Separator Wheel
- Type 304 stainless steel construction
- ISO 9001 : 2015 certified



CVC 432 Technical Specifications

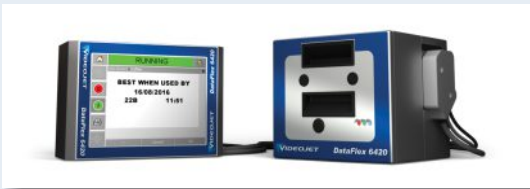
Speed	Rates in Excess of 260 Bottles Per Minute (Format Dependent)	
Flat / Square Bottle	Length	Flat Bottle: 1¼" to 8" (30 mm - 200 mm) Square Bottle: 1¼" to 4¼" (30 mm - 110 mm)
	Width	1¼" to 4¼" (30 mm - 110 mm)
	Height	2¾" to 12½" (75 mm - 320 mm)
	Round Bottle	Diameter Ø1¼" to Ø4¼" (Ø30 mm - Ø110 mm) Bottle with Cap Height 2" to 8¾" (50 mm - 220 mm) dependent on conveyor width
Label Width / Height	Configurable from ½" to 11½" (15mm - 265mm) dependent on label head type	
Label Length	½" to 10" (15mm - 250mm)	
Label Roll	Max 14" (356mm) outside diameter with 3" (76mm) core	
Conveyor Width	Configurable up to 4" (100mm)	
Conveyor Length	Standard 103" (2615mm) (Extendable)	
Power	220V, single phase, 950 VA (4.3 Amp)	
Air Pressure	6 bar (87 psi) (ISO 8573-1)	
Air Consumption	78.5 NLit/m (2.8cfm) (for optional reject and Lot/Date printer)	
Machine Dimension	8'-7" x 4'-11" x 7'-5" (2,615 mm x 1,490 mm x 2,260 mm) (L x W x H)	
Machine Weight	400 kg (881 lbs)	
Noise Level	≤ 75 dB	

Note: The actual rates may vary significantly depending on the following: products, product characteristics, required fill counts, quantity or volume, and bottle dimensions.

TECHNICAL SPECIFICATIONS

AVAILABLE OPTIONS

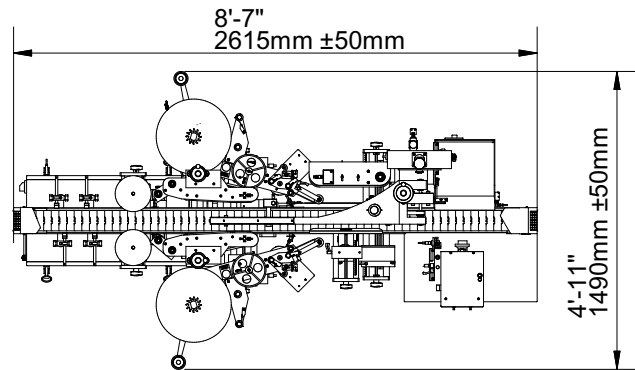
- Hot Stamp (Lot/Date Coding)
- Integrated Thermal Encoder (Lot/Date, Bar Code and Graphics)
- Adjustable Tilt for Tapered Bottles
- Bottle Rejection system (air blow or cylinder)
- Clear Label Sensor
- Custom Wrap Belts and Feed Screw
- Infeed and Outfeed Conveyor Extensions
- Bar Code verification
- Low Label (Factory Installed Only)
- Missing Label Detection System (UV)
- Automatically generate the report on system
- Outfeed Turntable
- Missing Imprint Check system
- 21 CFR PART 11 compliance
- OPC UA for data collection



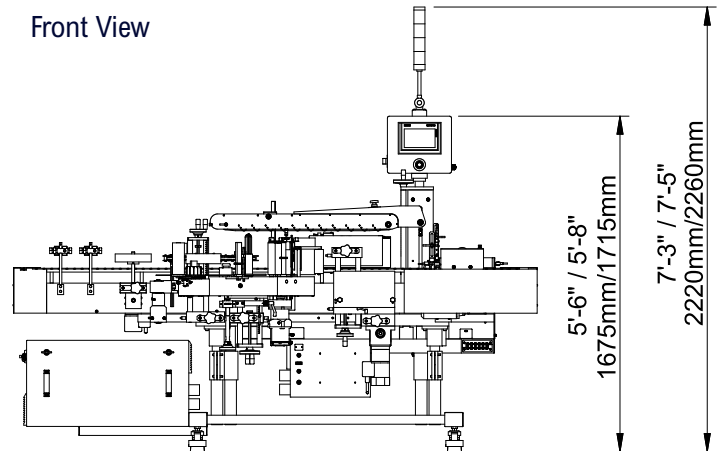
THERMAL TRANSFER PRINTER

MACHINE LAYOUTS

Top View



Front View



The dimensions shown are for standard machine. The conveyor can be extended: the length may vary based on selected options. This machine can run independently or be integrated into an automated packaging line. All CVC equipment is covered by a one-year parts warranty. Full Warranty details are included in our equipment proposals.



Contact Us

USA

10861 Business Drive, Fontana, CA 92337
Phone: +1 (909) 355-0311
www.cvctechnologies.com
sales@cvcusa.com

USA East Coast Office

1855 New Highway, Suite C, Farmingdale NY 11735
sales@cvcusa.com

Taiwan-Asia Pacific Headquarters

Phone: +886 (4) 2496-3666
sales@cvctechnologies.com

China/India

sales@cvctechnologies.com