



FRONT BACK LABELER

CVC 400



The CVC 400 Front & Back Labeler is built to automatically apply pressure sensitive labels onto the front and/or back of flat sided, and oval containers. The 400 can be ordered with one or two labeling heads and has an optional assembly for applying a label to 3, 4, or 5 panels of a square or rectangular container. The 400 is an ideal machine for contract packagers and manufacturers serving the food, nutraceutical, pharmaceutical, gas, oil, and personal care markets.

STANDARD FEATURES

- Self Set Auto Adjusting Control System
- Stainless Steel Frame on lockable casters
- Stainless Steel flatbed conveyor with 4" wide table top chain (Raised sanitary bed also available)
- Touchscreen HMI
- Label head with up to $\pm 1/32$ " accuracy (* bottles / containers dependent)
- Label Sensor for Paper or Opaque Labels (Clear Label Sensor available as Option)
- Product Sensor with Opaque and Clear Bottle Mode
- Variable Speed Separator Wheel



All CVC labelers include our patented Self Set™ software which utilizes a high frequency encoder for extremely easy setup and wrinkle free labeling at the touch of a button.

CVC 400 Technical Specifications

| | |
|----------------------|---|
| Speed | Up to 175 Bottles per Minute (BPM) |
| Bottle Height | Configurable from 2" to 16" (51mm - 406mm) |
| Bottle Diameter | Configurable from 1/2" to 6 1/4" (13mm - 159mm) dependent on conveyor width |
| Label Width / Height | Configurable from 3/8" to 9" (16mm - 229mm) dependent on label head type |
| Label Length | 1/4" to 12" (16mm - 305mm) |
| Label Roll | Max 14" (356mm) outside diameter with 3" core |
| Dispense Speed | Max 23 meters / min. |
| Conveyor Width | Standard 4" (Configurable 6") |
| Conveyor Length | Standard 95 1/2" |
| Conveyor Bed Height | Standard 36" (± 2 ") |
| Power | 110V, Single Phase, 5 Amp (220V optional) |
| Air Pressure | Minimum 85 psi (ISO 8573-1) |
| Air Consumption | 4 cfm (for optional reject and Lot/Date printer) |
| Machine Weight | 324 kg |

Note: The actual rates may vary significantly depending on the following: products, product characteristics, required fill counts, quantity or volume, and bottle dimensions.

TECHNICAL SPECIFICATIONS

AVAILABLE OPTIONS

- Hot Stamp (Lot/Date Coding)
- Integrated Thermal Encoder (Lot/Date, Bar Code and Graphics)
- Adjustable Tilt for Tapered Bottles
- Chain alignment
- Clear Label Sensor
- Feed Screw
- Infeed and Outfeed Conveyor Extensions
- Low Label Sensor (Factory Installed Only)
- Outfeed Collection Tray
- Product Infeed Tray with Stainless Steel Insert and Paddle for easy product loading



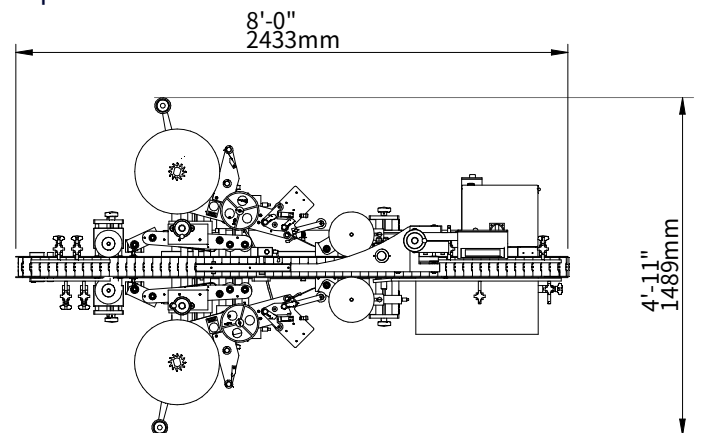
THERMAL TRANSFER PRINTER



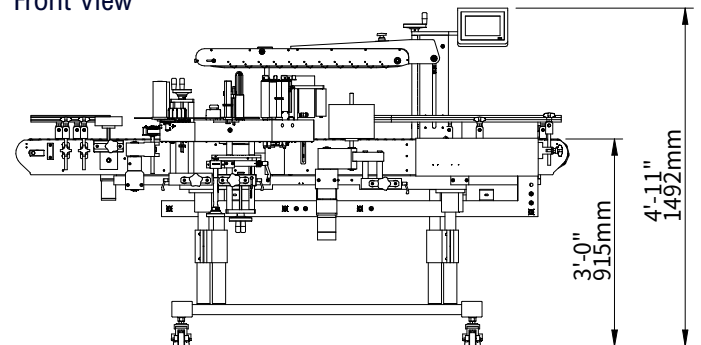
VISION INSPECTION SYSTEMS

MACHINE LAYOUTS

Top View



Front View



The dimensions shown are for standard machine. The conveyor can be extended: the length may vary based on selected options. This machine can run independently or be integrated into an automated packaging line. All CVC equipment is covered by a one-year parts warranty. Full Warranty details are included in our equipment proposals or can be found on our website.



Contact Us

USA
10861 Business Drive, Fontana, CA 92337
Phone: +1 (909) 355-0311
www.cvctechnologies.com
sales@cvcusa.com

USA East Coast Office
1855 New Highway, Suite C, Farmingdale NY 11735
sales@cvcusa.com

Taiwan-Asia Pacific Headquarters
Phone: +886 (4) 2496-3666
sales@cvctechnologies.com

China/India
sales@cvctechnologies.com