



LABEL INSPECTION AND EJECTION SYSTEM CVC L52

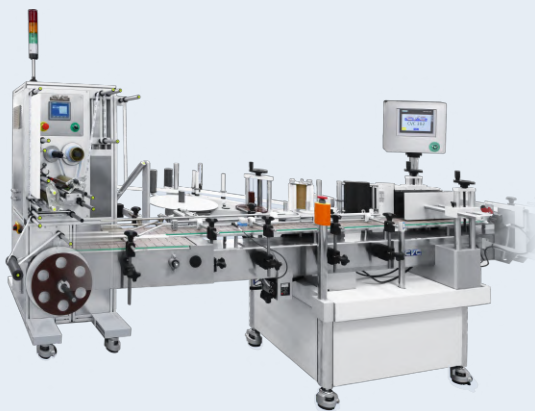


The CVCL52 Label Inspection and Ejection System is the best solution for meeting customers' requirements of label management. With the solution, customers can simply save time and increase labeling productivity through automatic label coding, bar code reading, vision inspection and ejection.

STANDARD FEATURES

- Can be integrated into CVC 302 Wrap Around Labeler (factory installed only)
- Label Inspection and Ejection are up to 250 labels per min. (for label 40mm long)
- On-line label inspection and ejection for
 - labels with incorrect bar codes,
 - labels with wrong code-dating imprinted
 - labels without code-dating imprinted.
- Labels are continuously dispensing to CVC 302 Wrap Around Labeler without stopping
- Unqualified labels are ejected and accumulated by a label reel without causing waste labeled bottles
- Label ejection verification check
- Type 304 Stainless steel and cast aluminum alloy construction, meeting GMP regulations

▼ CVC L52 integrates into CVC 302 Labeler



CVC L52 Technical Specifications

Type	C
Adaptable CVC Labeler	CVC 302 (Siemens S7-1200)
Label Dispensing Speed	Max. 50 M/min
Label Ejection Output	Max. 250 LPM (subject to trial confirmation)
Applicable Label Size Range	Label Width: 15~150 mm ($\frac{5}{8}$ " to 5 $\frac{7}{8}$ "") Label Length: 40~180 mm (1 $\frac{5}{8}$ " to 7")
Power Source	220 V, 50/60 HZ, 1 PH
Power Consumption	1,300 VA (5 A)
Air Pressure	4~6 kgf/cm ² (Bar)
Air Consumption	57 NL/min (2 CFM)
Machine Dimension (L x W x H)	834x 736x 2,145 mm (Including tower lamp) (2'-9"x 2'-5"x 7'-1")
Machine Weight	160 kg (352 LBS)
Noise Level	75 dB

TECHNICAL SPECIFICATIONS

AVAILABLE OPTIONS

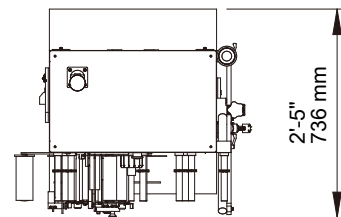
- C70 Hot Stamp Printer
- Thermal Transfer Overprinter, Ink Jet Printer
- 21CFR Part 11 compliance
- Pharma Code Reader
- Pharma Code / Bar Code and code-dating imprint Verification System (using Camera (OCV system))
- Label Roll Inner Diameter: 35mm(1 1/2")
- 3-Color stack light



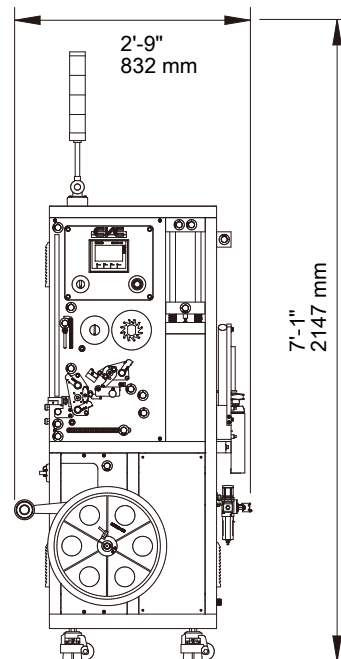
- Label Inspection and Ejection

MACHINE LAYOUTS

Top View



Front View



The dimensions shown are for standard machine. This machine can be integrated into CVC 302 wrap around labeler. All CVC equipment is covered by a one-year warranty. Full Warranty details are included in our equipment proposals.



Contact Us

USA
10861 Business Drive, Fontana, CA 92337
Phone: +1 (909) 355-0311
www.cvctechnologies.com
sales@cvcusa.com

USA East Coast Office
1855 New Highway, Suite C, Farmingdale NY 11735
sales@cvcusa.com

Taiwan-Asia Pacific Headquarters
Phone: +886 (4) 2496-3666
sales@cvctechnologies.com

China/ India
sales@cvctechnologies.com