



WRAP AROUND LABELER CVC 300



The CVC 300 Wrap-Around Labeler is built to automatically apply pressure sensitive labels onto round containers. It is an ideal machine for contract packagers and manufacturers serving the nutraceutical, food, cosmetic, personal care, and household product markets.

All CVC labelers include our patented Self Set™ software which utilizes a high frequency encoder for extremely easy setup and wrinkle free labeling at the touch of a button.

STANDARD FEATURES

- Self Set™ auto adjusting control system
- Stainless steel frame on lockable casters
- Stainless steel flat-bed conveyor with 4" wide table top chain (raised sanitary bed)
Upgradeable to 6" wide
- Touchscreen HMI
- Label head with up to $\pm 1/32$ " accuracy
(* bottles / containers dependent)
- Label sensor for paper or opaque labels
- Product sensor with opaque and clear bottle mode
- Variable speed separator wheel



All CVC labelers include our patented Self Set™ software which utilizes a high frequency encoder for extremely easy setup and wrinkle free labeling at the touch of a button.

CVC 300 Technical Specifications

Speed	Rates in Excess of 100 BPM (Format Dependent)
Bottle Height	2" to 12-5/8" (50mm - 320mm)
Bottle Diameter	1" to 4" (25mm - 102mm) dependent on conveyor width
Label Width / Height	5/8" to 8-5/8" (15mm - 220mm) dependent on label head type
Label Length	5/8" to 9-7/8" (15mm - 250mm)
Label Roll	Max 13-3/4" (350mm) outside diameter with 3" (76mm) core
Conveyor Width	Standard 4" (also available in 6")
Conveyor Length	Standard 79" (also available in 94" sanitary)
Conveyor Bed Height	Standard 36" (+/- 2")
Power	110V, 50/60 Hz, Single Phase, 3.2 Amp (220V optional)
Air Pressure	Minimum 87 psi
Air Consumption	50 NLit/m (for optional reject and Lot/Date printer)
Machine Weight	174 Kg (383 LBS)

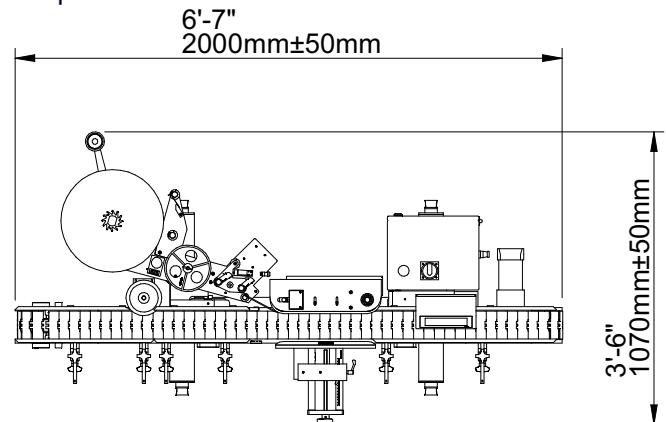
TECHNICAL SPECIFICATIONS

AVAILABLE OPTIONS

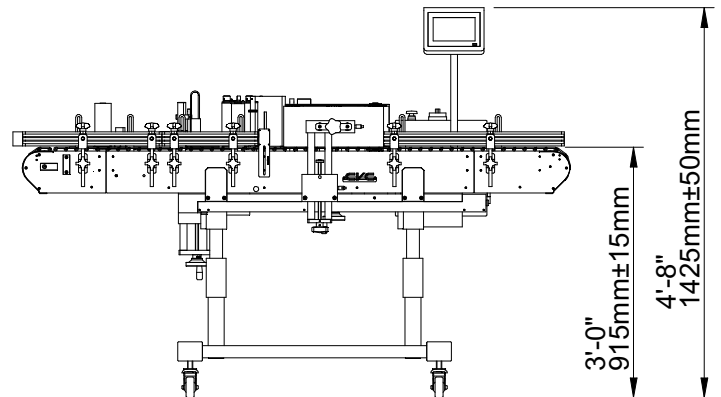
- Hot Stamp (Lot/Date Coding) or Integrated Thermal Encoder
- Adjustable tilt for tapered bottles
- Clear label sensor, custom wrap belts, feed screw assembly
- Infeed and outfeed conveyor extensions
- Missing Hot Stamp Imprint Check System
- Ribbon Check Sensor

MACHINE LAYOUTS

Top View



Front View



The dimensions shown are for standard machine. The conveyor can be extended: the length may vary based on selected options. This machine can run independently or be integrated into an automated packaging line. All CVC equipment is covered by a one-year parts warranty. Full Warranty details are included in our equipment proposals.



THERMAL TRANSFER PRINTER



Contact Us

USA
10861 Business Drive, Fontana, CA 92337
Phone: +1 (909) 355-0311
www.cvctechnologies.com
sales@cvccusa.com

USA East Coast Office
1855 New Highway, Suite C, Farmingdale NY 11735
sales@cvccusa.com

Taiwan-Asia Pacific Headquarters
Phone: +886 (4) 2496-3666
sales@cvctechnologies.com

China/India
sales@cvctechnologies.com