



# VIAL / AMPOULE WRAP LABELER CVC 330



The CVC 330 Vial & Ampoule Wrap Labeler is built to automatically apply pressure sensitive labels onto small diameter round containers. The 330 comes standard with a 700mm loading turn table, a ground chain conveyor, and modified railing for precise labeling of small vials and bottles. The 330 is an ideal machine for contract packagers and manufacturers serving the biotech, nutraceutical, pharmaceutical, and food markets.

## STANDARD FEATURES

- SelfSet™ Auto Adjusting Control System
- Stepper Motor Driven Head Labeling
- Touch Screen HMI
- Label Head with up to  $\pm 1$  mm (  $1/32$ " ) Accuracy (\*Bottles/ Containers Dependent)
- Label Sensor for Paper or Opaque Labels
- Product Sensor with Opaque and Clear Bottle Mode
- Variable Speed Separator Wheel
- Stainless Steel Frame on Lockable Casters
- Stainless Steel Flat-bed Conveyor with 4" Wide Table Top Chain (Raised Sanitary Bed) Upgrade-able to 6" Wide



All CVC labelers include our patented Self Set™ software which utilizes a high frequency encoder for extremely easy setup and wrinkle free labeling at the touch of a button.

## CVC 330 Technical Specifications

Productivity	Up to 200 BPM (subject to trial confirmation) Labeling Speed: 38 M/min (124 ft/min)
Applicable Size	Label: Length: 15-254 mm (1/2" to 10") Width: (depend on label head type) A: 15-80 mm (1/2" to 3") B: 15-120 mm (1/2" to 4 3/4") C: 15-150 mm (1/2" to 6") D: 15-180 mm (1/2" to 7") Bottle: Dia.: $\varnothing$ 25-102 mm (1" to 4") (depend on conveyor width) Height: 50-320 mm (2" to 12 1/2")
Power Source	110/220 V, 50/60 HZ, 1 PH
Power Consumption	396 VA (110V: 3.6 A, 220V: 1.8 A)
Air Pressure	6 bar (87 psi)
Air Consumption	50 NL/min (1.8 CFM) (for optional Lot/Date printer)
Machine Dimensions ( L x W x H )	2,000 x 1,460 x 1,430 mm [6'-7" x 4'-9" x 4'-8"] (Including conveyor & accumulation rotary table)
Machine Weight	230 kg (507 lbs)
Noise Level	$\leq 75$ dB

Technical data contained in this material are not binding and may be subject to change without prior notice.

Note: The actual rates may vary significantly depending on the following: products, product characteristics, required fill counts, quantity or volume, and bottle dimensions.

# TECHNICAL SPECIFICATIONS

## AVAILABLE OPTIONS

- C60 Hot Stamp (Lot/Date Coding)
- Missing Hot Stamp Imprint Check
- Integrated Thermal Printer (Lot/Date, Bar Code and Graphics)
- Dataflex or Similar Lot/Date Code Printer
- Clear, Metallic or Color Label Sensor
- End to end Transfer Plates
- Infeed and outfeed Conveyor Extensions
- Adjustable Tilt for Tapered Bottles
- Product Infeed Tray with Stainless Steel Insert and Paddle for easy Product Loading onto a Rotary Turntable
- Feed Screw (\*)
- Custom made Wrap Station
- Spindle Wrap Station
- Stainless Steel Raised Bed Sanitary Conveyor (Factory installed only)



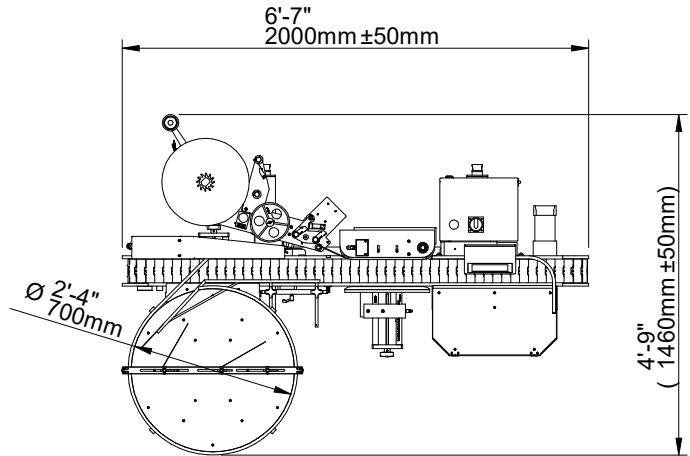
THERMAL TRANSFER PRINTER



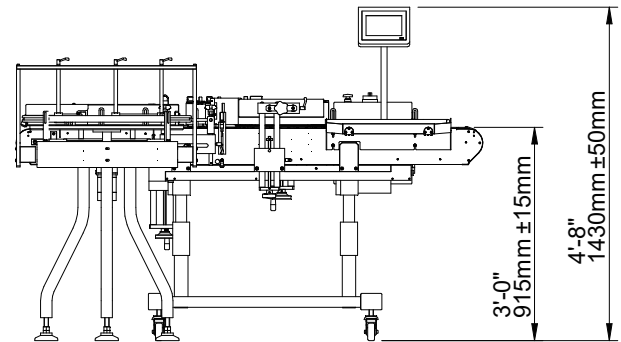
VISION INSPECTION SYSTEMS

## MACHINE LAYOUTS

Top View



Front View



The dimensions shown are for standard machine. The conveyor can be extended: the length may vary based on selected options. This machine can run independently or be integrated into an automated packaging line. All CVC equipment is covered by a one-year parts warranty. Full Warranty details are included in our equipment proposals or can be found on our website.



## Contact Us

**USA**  
10861 Business Drive, Fontana, CA 92337  
Phone: +1 (909) 355-0311  
[www.cvctechnologies.com](http://www.cvctechnologies.com)  
[sales@cvcusa.com](mailto:sales@cvcusa.com)

**USA East Coast Office**  
1855 New Highway, Suite C, Farmingdale NY 11735  
[sales@cvcusa.com](mailto:sales@cvcusa.com)

**Taiwan-Asia Pacific Headquarters**  
Phone: +886 (4) 2496-3666  
[sales@cvctechnologies.com](mailto:sales@cvctechnologies.com)

**China/India/Indonesia**  
[sales@cvctechnologies.com](mailto:sales@cvctechnologies.com)