



TABLET/CAPSULE COUNTER

CVC SC204-TS



Counting speed for the model CVC SC204-TS is double that of the CVCSC204-TS when running tablet products. Easy operator movements include placing two empty bottles and taking away two filled bottles.

STANDARD FEATURES

- Stainless steel construction with acrylic housing, meets cGMP standards.
- A unique sensor design prevents miscounts caused by voltage change or direct light to the counting head.
- Operator can easily setup and adjust machine parameters from the touch screen.
- Counting speed is adjustable.
- The vibrator tablet/ capsule loading chute speed is adjustable to equal the counting speed.



CVC SC204-TS Technical Specifications

Productivity	Round Tablet: 1,500-2,500 PPM Capsule: 800-1,200 PPM (subject to trial confirmation)
Applicable Size	Bottle: Dia.: Ø30-100 mm (1 1/4" to 4") I.D. of Mouth: Ø25-100 mm (1" to 4") Height: 50-200 mm (2" to 8") Product: Dia: Ø5-20 mm (1/4" to 3/4") Length: 5-30 mm (1/4" to 1 1/4") Width: 5-20 mm (1/4" to 3/4")
Power Source	110 V/ 220V, 50/60 HZ, 1 PH
Power Consumption	110V: 350 VA (3.2 A)/ 220V: 350 VA (1.6 A)
Air Pressure	N/A
Air Consumption	N/A
Machine Dimensions (L x W x H)	925 x 650 x 824 mm (approx) (3' x 2'-2" x 2'-8")
Machine Weight	85 kg (187 lbs)
Noise Level	≤ 78 dB

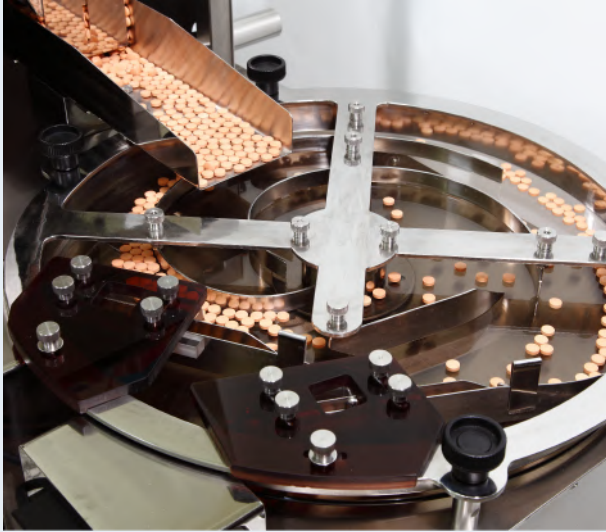
Note: The actual rates may vary significantly depending on the following: products, product characteristics, required fill counts, quantity or volume, and bottle dimensions.

Technical data contained in this material are not binding and may be subject to change without prior notice.

TECHNICAL SPECIFICATIONS

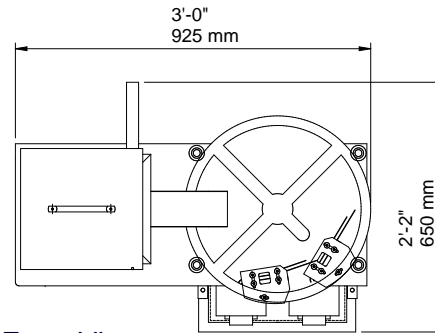
AVAILABLE OPTIONS

- A dust accumulator is attached inside of the machine to protect machine count accuracy.
- PC cover for disc and vibrating chute.

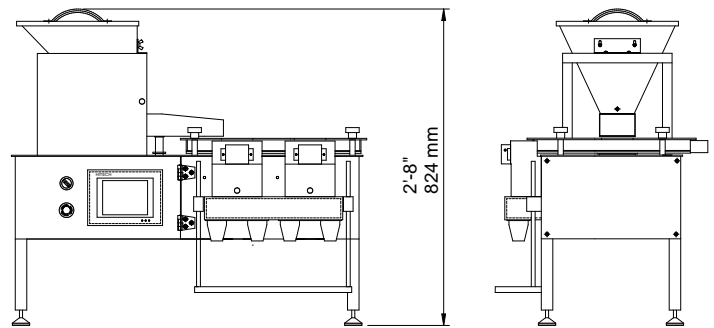


MACHINE LAYOUTS

Top View



Front View



Technical data contained in this material are not binding and may be subject to change without prior notice.



Contact Us

USA

10861 Business Drive, Fontana, CA 92337
Phone: +1 (909) 355-0311
www.cvctechnologies.com
sales@cvcusa.com

USA East Coast Office

1855 New Highway, Suite C, Farmingdale NY 11735
sales@cvcusa.com

Taiwan-Asia Pacific Headquarters

Phone: +886 (4) 2496-3666
sales@cvctechnologies.com

China/ India

sales@cvctechnologies.com