



Servo Softgel Machine

1. Pharmaceutical & Nutraceutical
2. Providing an additional Ethernet port and address mapping service to meet customer's SCADA communication system
3. Easy to change the filling volume on the touch screen (EFA)
4. Auto Gel Thickness control system included (AGT)

770SR

SPECIFICATION

Dimension: 2,328(L) x 1,171(W) x 2,353(H)mm

Weight: : 2,100 KG

Electric Power: AC 220, 380, 440 V / 50,60 Hz / 3 Ph

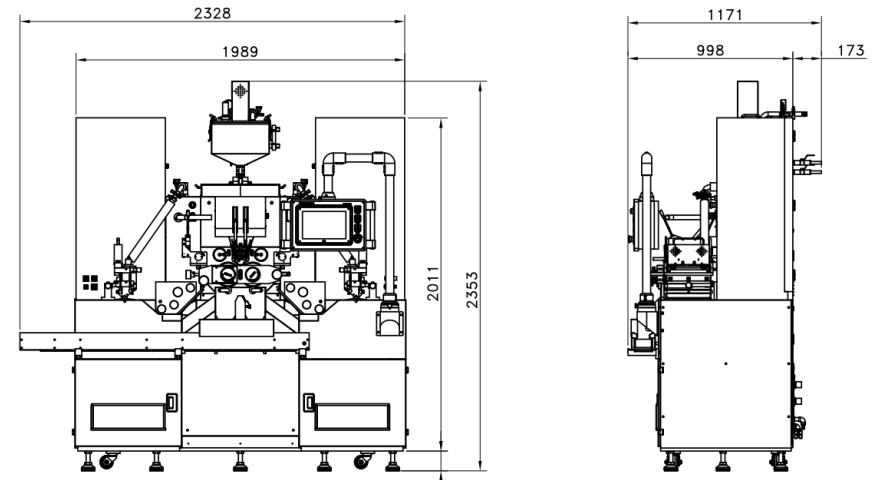
Power Consumption: 23kW

Die Roll Speed: 5 rpm

Compressed Air: 5 kg f/cm²

Die Roll Size: Ø150 x 250 mm

Productivity: AVG. 71,400 caps/hr at 5 rpm (Ob#20)



Medicine Filling Pump



Oil Roller



Pinch Valve