

VIBRATORY PRESS CAPPER CVC 1201VP

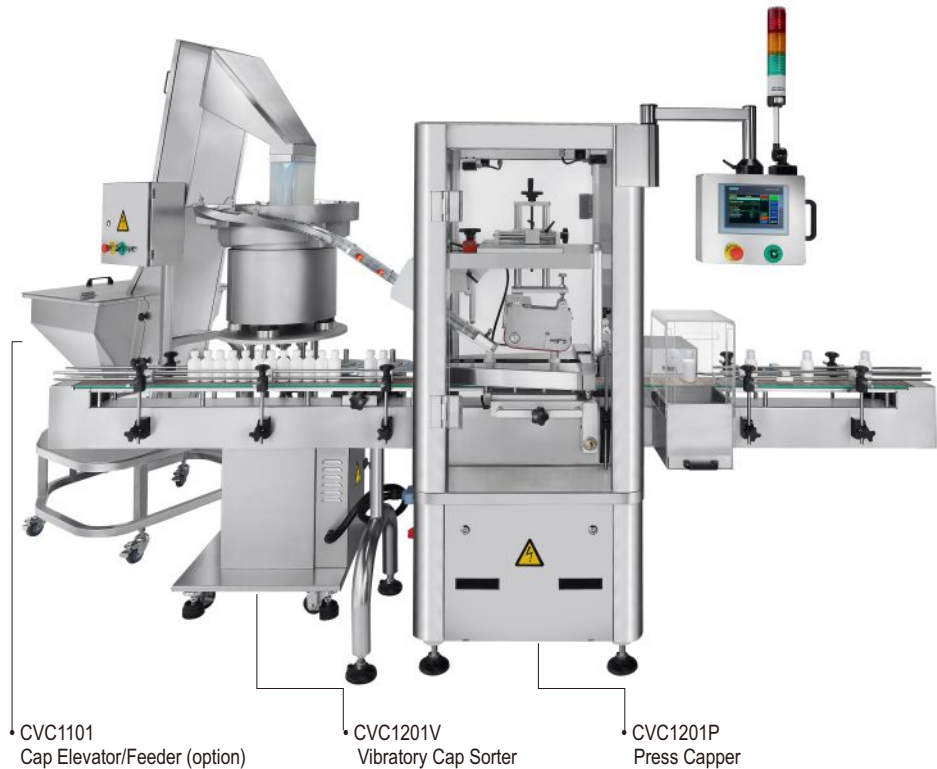


The CVC 1201VP Vibratory Press Capper is a very flexible machine designed to apply and press snap-on caps, measuring cups onto containers at rates of up to 50 bottles per minute. The CVC 1201VP is Siemens PLC Controlled. Options Include 3-Color Stack Tower Light, Cap Elevator, Cap Inspection (Missing Cap on Bottle, Crooked cap), Reject, and Reject Verification.

- Built to cGMP Standards
- Stainless Steel Construction
- Quick and Easy Change Over

STANDARD FEATURES

- Siemens PLC Controlled
- Memory Capacity for 50 Jobs
- Cap Press-on Station Equips with One Motorized Top Press Down Belt Assembly
- Dual-belt Gripping System
- Sanitary Conveyor (4½" Wide Belt Standard, Length: 2750 mm)
- Safety Guard for CVC 1201P Press Capper
- Integrated Customized Cap Vibratory Bowl Feeder/Sorter with Mounting Stands and Swivel Casters
- ISO 9001:2015 Certified



CVC1101
Cap Elevator/Feeder (option)

CVC1201V
Vibratory Cap Sorter

CVC1201P
Press Capper

CVC 1201VP Technical Specifications

Speed	Up to 50 BPM (subject to trial confirmation)
Applied bottle shape	Round
Cap Diameter	1 ¼" to 3 ⅝" (Ø30mm - Ø80 mm)
Cap Height	¾" to 1" (10 mm - 25 mm)
Bottle Diameter	1 ¼" to 3 ⅝" (Ø30mm - Ø80 mm) *
Bottle Height	3 ⅝" to 7 ⅞" (80 mm - 200 mm) *
Power Source	220V, 50/60 HZ, 1 phase
Power Consumption	1100 VA (5 A)
Air Pressure	6 bar (87 psi) (ISO 8573-1)
Air Consumption	28 NLit/m (0.98 cfm) (CVC1201P Press Capper) 24 NLit/m (0.84 cfm) (CVC1201V Vibratory Cap Sorter)
Machine Dimension	9'-0" x 4'-0" x 7'-3" (2,750 mm x 1,215 mm x 2,210 mm) (L x W x H)
Machine Weight	416 kg (918 lbs) (CVC1201P Press Capper) 293 kg (645 lbs) (CVC1201V Vibratory Cap Sorter)
Noise Level	≤ 80 dB

* Subject to our factory evaluation

TECHNICAL SPECIFICATIONS

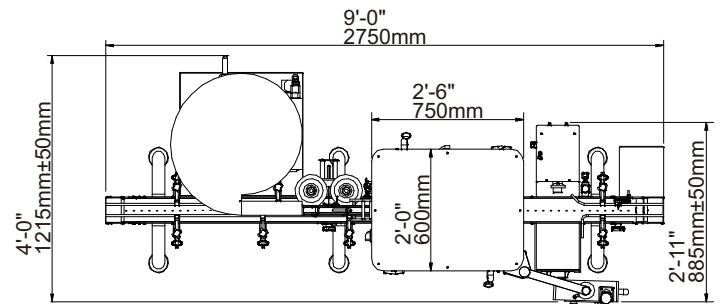
AVAILABLE OPTIONS

- Infeed/Outfeed Conveyor Extensions (4¼" Wide Belt Standard)
- 3-Color Stack Tower Light
- CVC1101 Cap Elevator
- Cap Inspection Package (No Cap, Crooked Cap)
- Reject System, Reject Verification
- Customized Dual-belt Gripping System
- Customized Cap Vibratory Bowl Feeder
- 21 CFR Part 11 License
- OPC UA for data collection

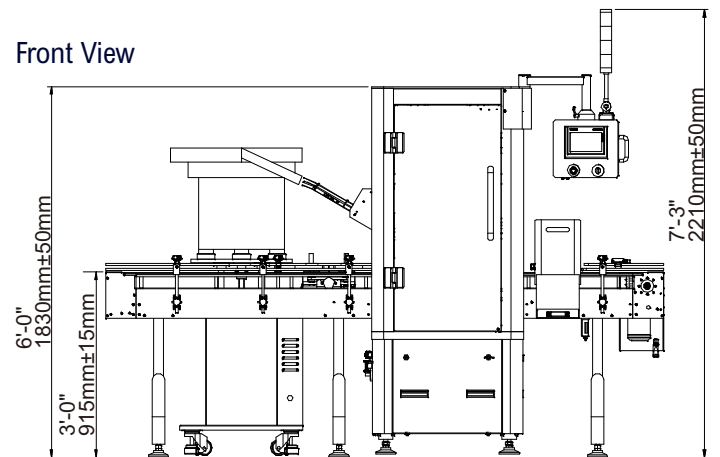


MACHINE LAYOUTS

Top View



Front View



The dimensions shown are for standard machine. The conveyor can be extended: the length may vary based on selected options. This machine can run independently or be integrated into an automated packaging line. All CVC equipment is covered by a one-year parts warranty. Full Warranty details are included in our equipment proposals.



Contact Us

USA
10861 Business Drive, Fontana, CA 92337
Phone: +1 (909) 355-0311
www.cvctechnologies.com
sales@cvcusa.com

USA East Coast Office
1855 New Highway, Suite C, Farmingdale NY 11735
sales@cvcusa.com

Taiwan-Asia Pacific Headquarters
Phone: +886 (4) 2496-3666
sales@cvctechnologies.com

China/India
sales@cvctechnologies.com