



# DESICCANT CANISTER INSERTER

## CVC 1111



For desiccant insertion in bottles, CVC 1111 is specially designed to meet the requirements in pharmaceutical and nutraceutical industries.

### STANDARD FEATURES

- PLC controlled fully automatic operation.
- 6" Touch Screen Terminal.
- Employs reliable electronic and pneumatic components.
- Stacked with alarm lamp post (optional).
- Multiple desiccant inserting without additional change parts.
- Programmable settings for Insertion of 1-5 desiccants per container.
- Front Safety guard with automatic machine stop when opened.
- All contact parts in FDA approved materials.
- Stainless steel and aluminum construction, meet cGMP requirements.
- Canister Type Desiccant discharge chute with insertion gate immediately close to the bottle opening, for a positive insertion.
- Precision photoelectric sensors for accurate operation.



### CVC 1111 Technical Specifications

Type	U4
Productivity	Up to 80-105 BPM (subject to trial confirmation)
Applicable Size	Product: (Canister Desiccant: 1-3 g) Dia.: Ø14-20 mm (1/2" to 3/4") Height: 18-25mm (5/8" to 1") Bottle: Dia.: Ø30-124 mm (1 1/4" to 4 3/4") I.D. of Mouth: Ø20-100 mm (3/4" to 3 3/4") Height: 50-220 mm (2" to 8 1/2") Min. Container Dia./ Height: 1: 1.25
Power Source	220 V, 50/60 HZ, 1 PH
Power Consumption	1650 VA (7.5 A)
Air Pressure	6 bar (87 psi)
Air Consumption	351 NL/min (12.3 CFM)
Machine Dimensions ( L x W x H )	1,025 x 935 x 1,965 mm (3'-4.4" x 3'-0.8" x 6'-5.4")
Machine Weight	280 kg (617 lbs)
Noise Level	≤ 77 dB

Technical data contained in this material are not binding and may be subject to change without prior notice.

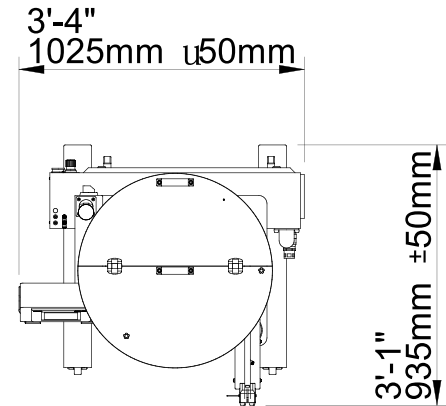
# TECHNICAL SPECIFICATIONS

## AVAILABLE OPTIONS

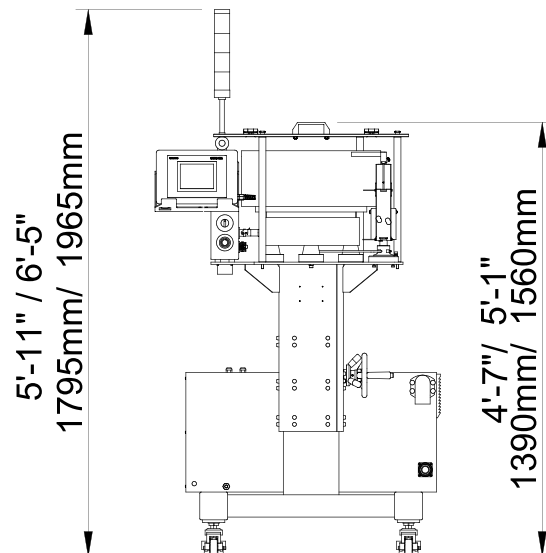
- Infeed and outfeed Conveyor Extensions
- Bottle Reject System
- Bottle Sorting Verification
- Tower Lamp
- 21 CFR Part 11 License
- OPC UA for Data Collection

## MACHINE LAYOUTS

Top View



Front View



Technical data contained in this material are not binding and may be subject to change without prior notice.



## Contact Us

### USA

10861 Business Drive, Fontana, CA 92337  
Phone: +1 (909) 355-0311  
[www.cvcusa.com](http://www.cvcusa.com) ; [www.cvctechnologies.com](http://www.cvctechnologies.com)  
[sales@cvcusa.com](mailto:sales@cvcusa.com)

### Taiwan-Asia Pacific Headquarters

Phone: +886 (4) 2496-3666  
[sales@cvctechnologies.com](mailto:sales@cvctechnologies.com)

### India

Phone: +91 (22) 2562-1242, +91 (22) 2562-1243  
[sales@cvctechnologies.com](mailto:sales@cvctechnologies.com)

### China

Phone: +86 (512) 8363-6368  
[sales@cvctechnologies.com](mailto:sales@cvctechnologies.com)